

N360 Series RECTANGULAR CONNECTORS

FEATURES

- Many applications

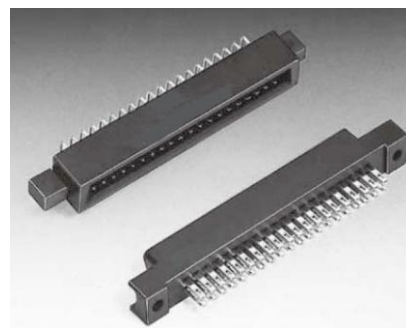
Various connectors are available for connection by means of soldering, crimping, PC board mounting, and insulation displacement connection (IDC).

- Small size for high-density mounting

The connectors are small with a contact and terminal pitch of 2.54 mm (0.100 in.) between pins and between rows and are thus well suited for high-density mounting.

- Sturdy shell guide

Sturdy shell guides are used to prevent mismatching and to protect the pins.



SPECIFICATIONS

Item		Specification
Operating temperature range		-55° C to +85° C
Current Rating		DC 3 A (IDC type: 1 A)
Voltage Rating		250VAC
Contact resistance		15 mΩ max. (DC 6 V, 0.3 A)
Insulation resistance		1000 MΩ min. (DC 500 V)
Dielectric withstanding voltage		AC 500 V for 1 minute
Insertion force		24.5N max. (8 contacts), 196N max. (64 contacts)
Withdrawal force		2.94N min. (8 contacts), 22.54N min. (64 contacts)
Applicable wire	Soldering	φ 0.60 mm (0.024 in.) max, AWG #23 or less
	Crimping	AWG22~28 φ 1.0mm~φ 1.6mm (0.039in.~0.063in.)
	IDC	Flat cable 1.27 mm (0.050 in.) pitch, AWG #28 (stranded wire), AWG #30 (solid wire)
Applicable PC board		1.6 mm (0.063 in.) standard thick

MATERIALS

Item		Material
Insulator		Polyester (N363J:PC) (N360C:PA)
Conductor		Copper alloy
Plating	Contact	Gold plating
	Terminal	Flash gold plating

HOE TO ORDER

Plug, Receptacle

N 3 6 4 P 0 4 0 A U

Model

Code	Terminal
1	Cable Soldering
3	Crimp(Receptacle)
4	Straight
5	Right angle

Code	Shape
P	Plug
J	Receptacle

Code	No. of Contacts
008	8
016	16
024	24
032	32
040	40
048	48
056	56
064	64

Code	Plating
AU	Gold plating

* Since Terminal Type 3 (Crimp) refers to the housing only, the plating specification field (e.g., AU) will be blank.

N 3 6 7 J 0 4 0 A U H

Model

Code	Terminal
7	IDC(Receptacle)

Code	Shape
J	Receptacle

Code	No. of Contacts
008	8
016	16
024	24
032	32
040	40
048	48
056	56
064	64

Code	Plating
AU	Gold plating

Code	Shape
H	Through-end cover
F	Closed-end cover(40P)
FW	Closed-end cover(40P)
MW	Closed-end cover(40P)

* N367J040AUMW is for Mitsubishi PLC(MELSEC-A/Q Series)

Cover, Metal fittings

N 3 6 0 C 0 4 0 B

Model

Code	Item
0	Cover, Metal fitting

Code	Item
C	Cover

Code	No. of Contacts
008	8
016	16
024	24
032	32
040	40
048	48
056	56
064	64

Code	Cover type
B	TYPE B: Standard
C	TYPE C: Cable to cable connection
D	TYPE D: Wide opening type
E	TYPE E: Long screw type
J1	TYPE J1: Obtuse angle cable-out
J2	TYPE J2: Low profile obtuse angel cable-out

※See individual page regarding No. of contacts

N 3 6 0 A 0 1 A

Model

Code	Shape
0	Cover, Metal fitting

Code	Item
A	Metal fitting

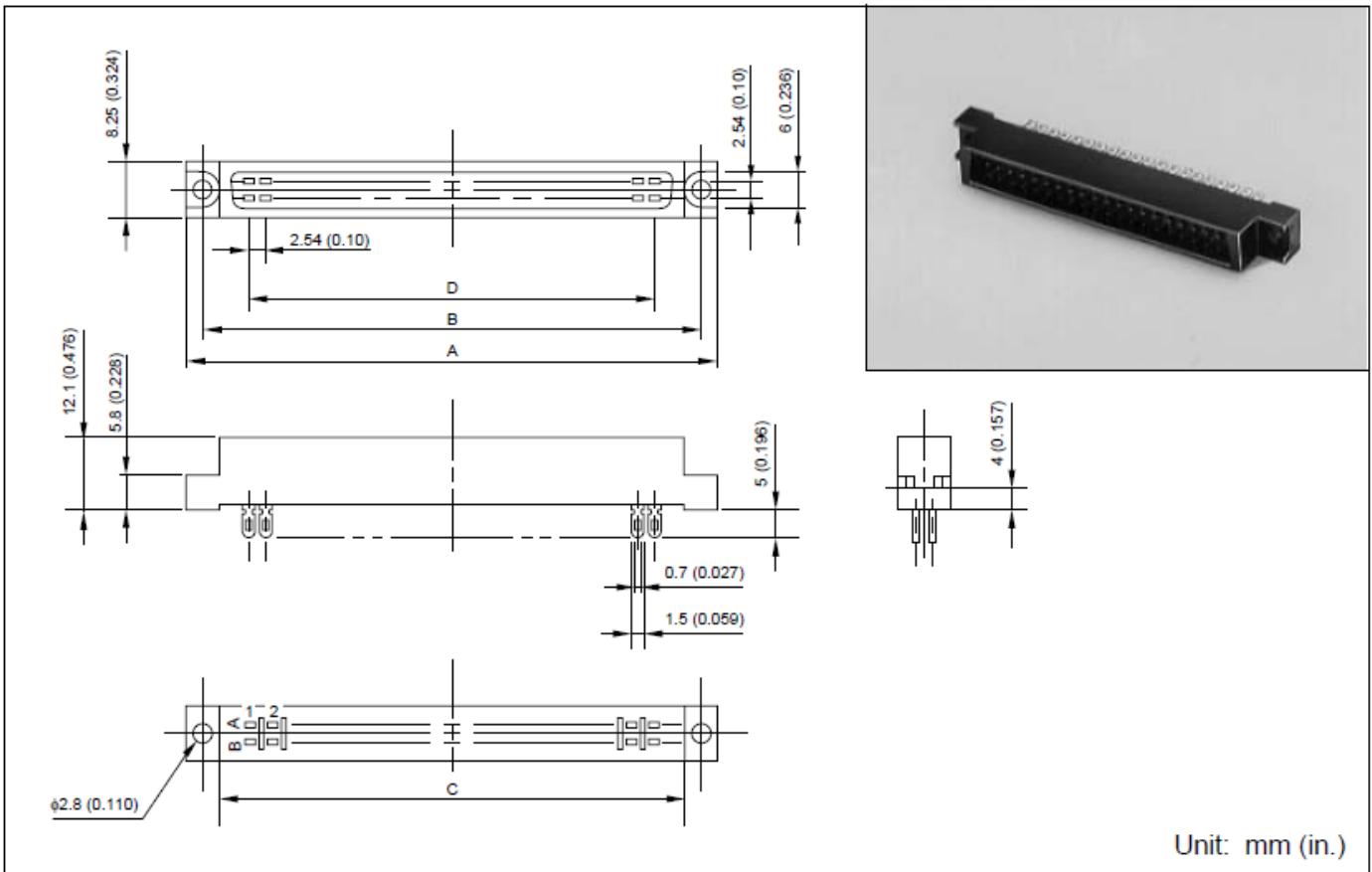
Code	Type
**	

Code	Material
A	Aluminium

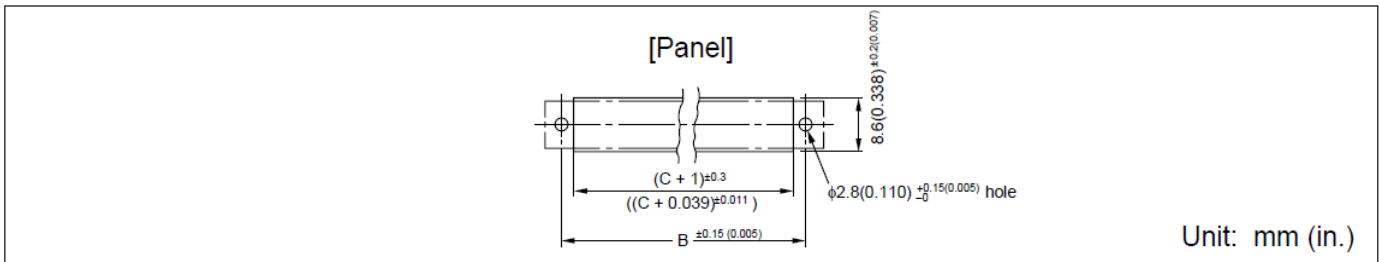
※See 19page regarding type of Metal fitting

Soldering type (PLUG)

■ DIMENSIONS



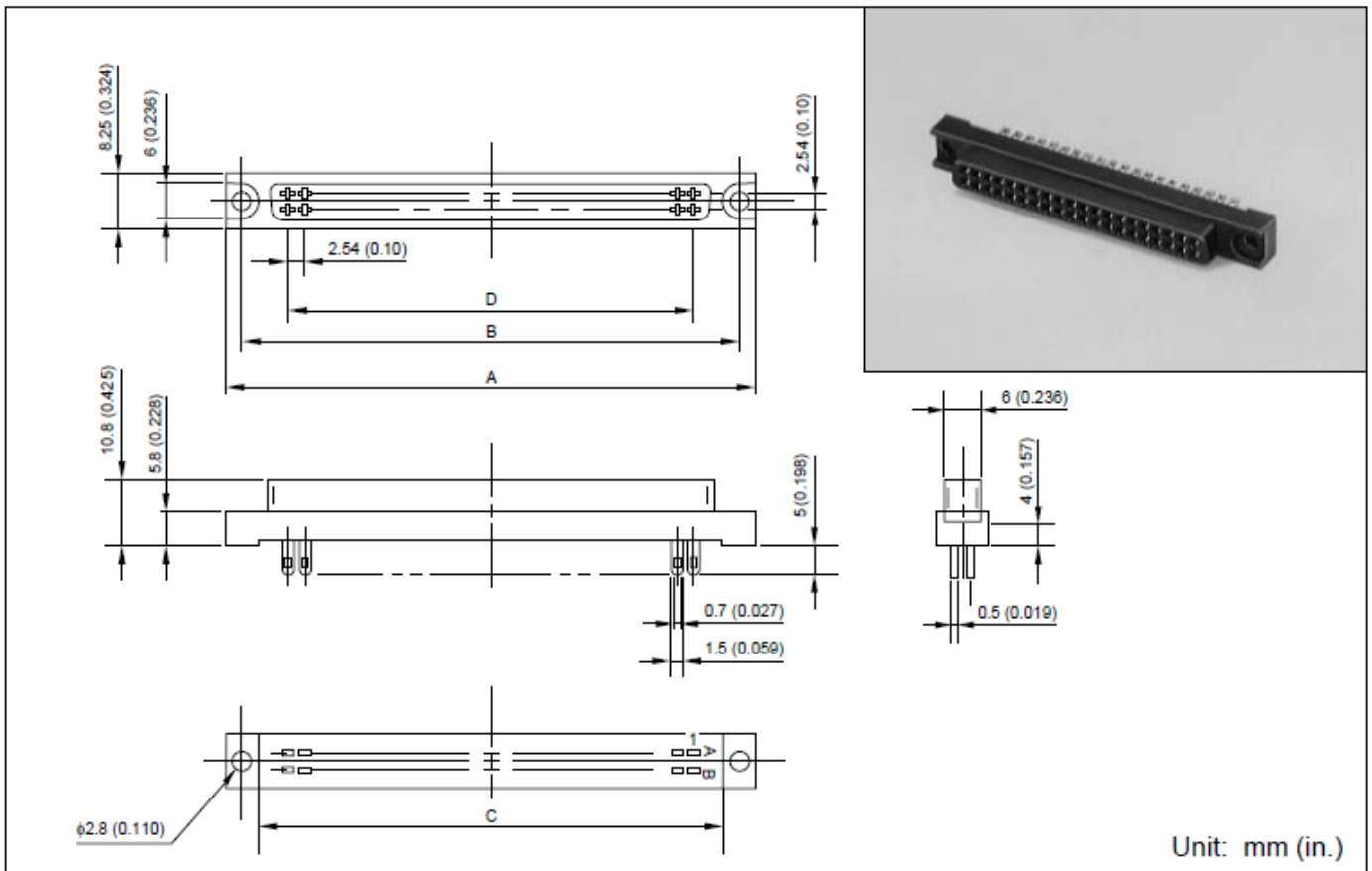
■ MOUNTING HOLE LAYOUT



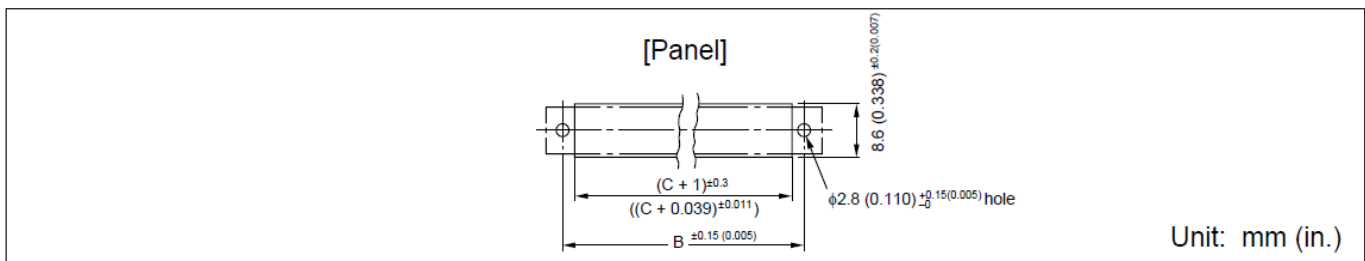
No. of contacts	Part number	Dimensions : mm(in.)			
		A	B	C	D
8	N361P008AU	28.84(1.135)	23.34(0.918)	17.84(0.702)	7.62(0.3)
16	N361P016AU	39.00(1.535)	33.50(1.318)	28.00(1.102)	17.78(0.7)
24	N361P024AU	49.16(1.935)	43.66(1.718)	38.16(1.502)	27.94(1.1)
32	N361P032AU	59.32(2.335)	53.82(2.118)	48.32(1.902)	38.10(1.5)
40	N361P040AU	69.48(2.735)	63.98(2.518)	58.48(2.302)	48.26(1.9)
48	N361P048AU	79.64(3.135)	74.14(2.918)	68.64(2.702)	58.42(2.3)
56	N361P056AU	89.80(3.535)	84.30(3.318)	78.80(3.102)	68.58(2.7)
64	N361P064AU	99.96(3.935)	94.46(3.718)	88.96(3.402)	78.74(3.1)

Soldering type (RECEPTACLE)

■ DIMENSIONS



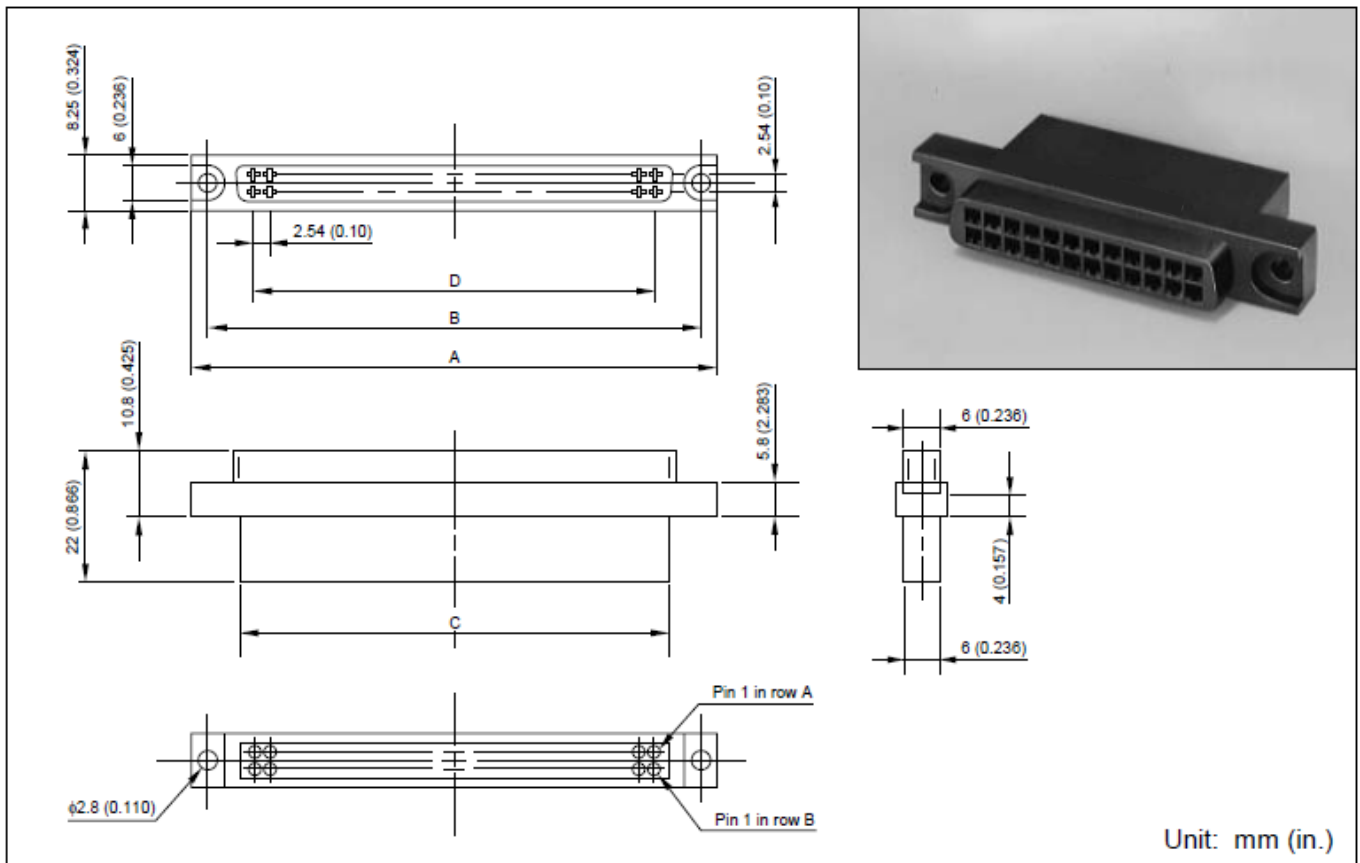
■ BOARD MOUNTING HOLE LAYOUT



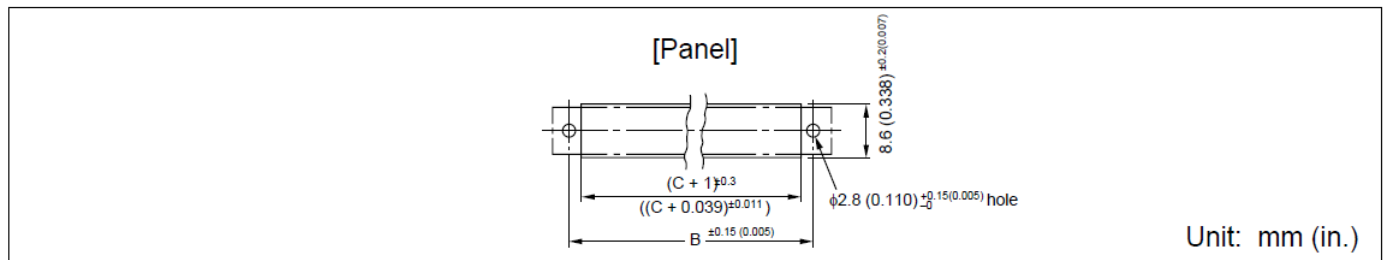
No. of contacts	Part number	Dimensions : mm(in.)			
		A	B	C	D
8	N361J008AU	28.84(1.135)	23.34(0.918)	17.84(0.702)	7.62(0.3)
16	N361J016AU	39.00(1.535)	33.50(1.318)	28.00(1.102)	17.78(0.7)
24	N361J024AU	49.16(1.935)	43.66(1.718)	38.16(1.502)	27.94(1.1)
32	N361J032AU	59.32(2.335)	53.82(2.118)	48.32(1.902)	38.10(1.5)
40	N361J040AU	69.48(2.735)	63.98(2.518)	58.48(2.302)	48.26(1.9)
48	N361J048AU	79.64(3.135)	74.14(2.918)	68.64(2.702)	58.42(2.3)
56	N361J056AU	89.80(3.535)	84.30(3.318)	78.80(3.102)	68.58(2.7)
64	N361J064AU	99.96(3.935)	94.46(3.718)	88.96(3.402)	78.74(3.1)

Crimp type (RECEPTACLE HOUSING)

■ DIMENSIONS



■ MOUNTING HOLE LAYOUT

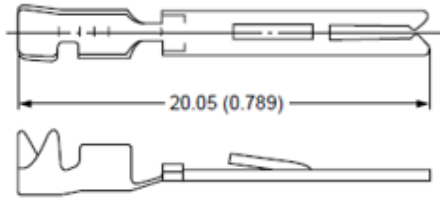


No. of contacts	Part number	Dimensions : mm(in.)			
		A	B	C	D
8	N363J008	28.84(1.135)	23.34(0.918)	17.84(0.702)	7.62(0.3)
16	N363J016	39.00(1.535)	33.50(1.318)	28.00(1.102)	17.78(0.7)
24	N363J024	49.16(1.935)	43.66(1.718)	38.16(1.502)	27.94(1.1)
32	N363J032	59.32(2.335)	53.82(2.118)	48.32(1.902)	38.10(1.5)
40	N363J040	69.48(2.735)	63.98(2.518)	58.48(2.302)	48.26(1.9)
48	N363J048	79.64(3.135)	74.14(2.918)	68.64(2.702)	58.42(2.3)
56	N363J056	89.80(3.535)	84.30(3.318)	78.80(3.102)	68.58(2.7)
64	N363J064	99.96(3.935)	94.46(3.718)	88.96(3.402)	78.74(3.1)

Crimp type (CONTACT/TOOL)

■ DIMENSIONS

Applicable wire: AWG #22 to #26



Unit: mm (in.)

■ PART NUMBERS

Type	Plating	Thick wire connection contact
Loose piece	Gold plating	N363JAUS
Strip reeled	Gold plating	N363JAUT

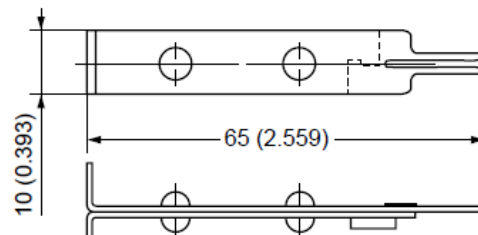
■ PART NUMBERS OF CRIMPING TOOLS

Part number	Contact type	Applicable wire	Wire cross-section area (mm ²)	Crimp height	Insulator diameter	Stripped length
N363TT011H	N363JAUS (Loose piece)	AWG #22	0.30 to 0.40	0.85 mm (0.033 in.) to 0.95 mm (0.037 in.)	φ0.9 mm (0.035 in.) to 1.8 mm (0.708 in.)	3.0 mm (0.118 in.) to 4.0 mm (0.157 in.)
		AWG #24	0.20 to 0.24	0.75 mm (0.029 in.) to 0.85 mm (0.033 in.)	φ0.9 mm (0.035 in.) to 1.8 mm (0.708 in.)	3.0 mm (0.118 in.) to 4.0 mm (0.157 in.)
	N363JAUT (Strip reeled)	AWG #26	0.13 to 0.16	0.73 mm (0.028 in.) to 0.81 mm (0.031 in.)	φ0.9 mm (0.035 in.) to 1.8 mm (0.708 in.)	3.0 mm (0.118 in.) to 4.0 mm (0.157 in.)

[Hand crimping tool]



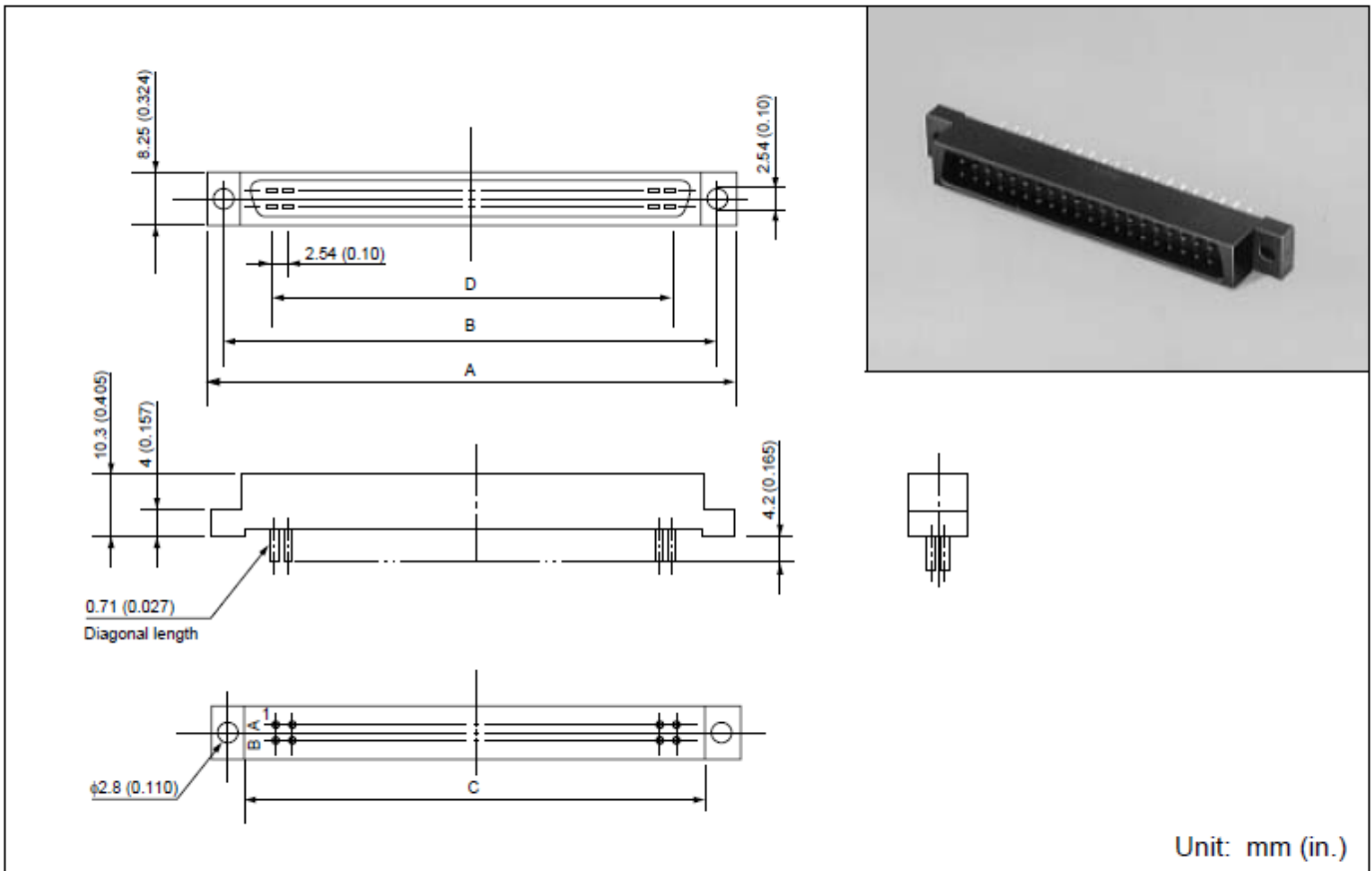
[Contact withdrawal tool]



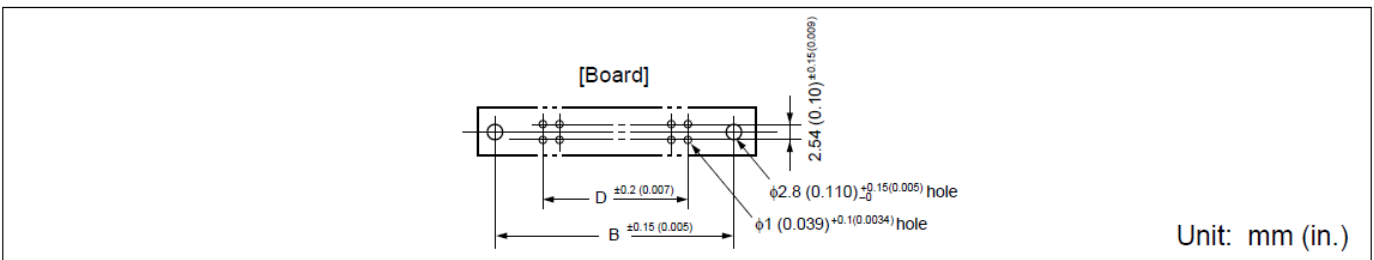
N360TT001H

Straight type (PLUG)

■ DIMENSIONS



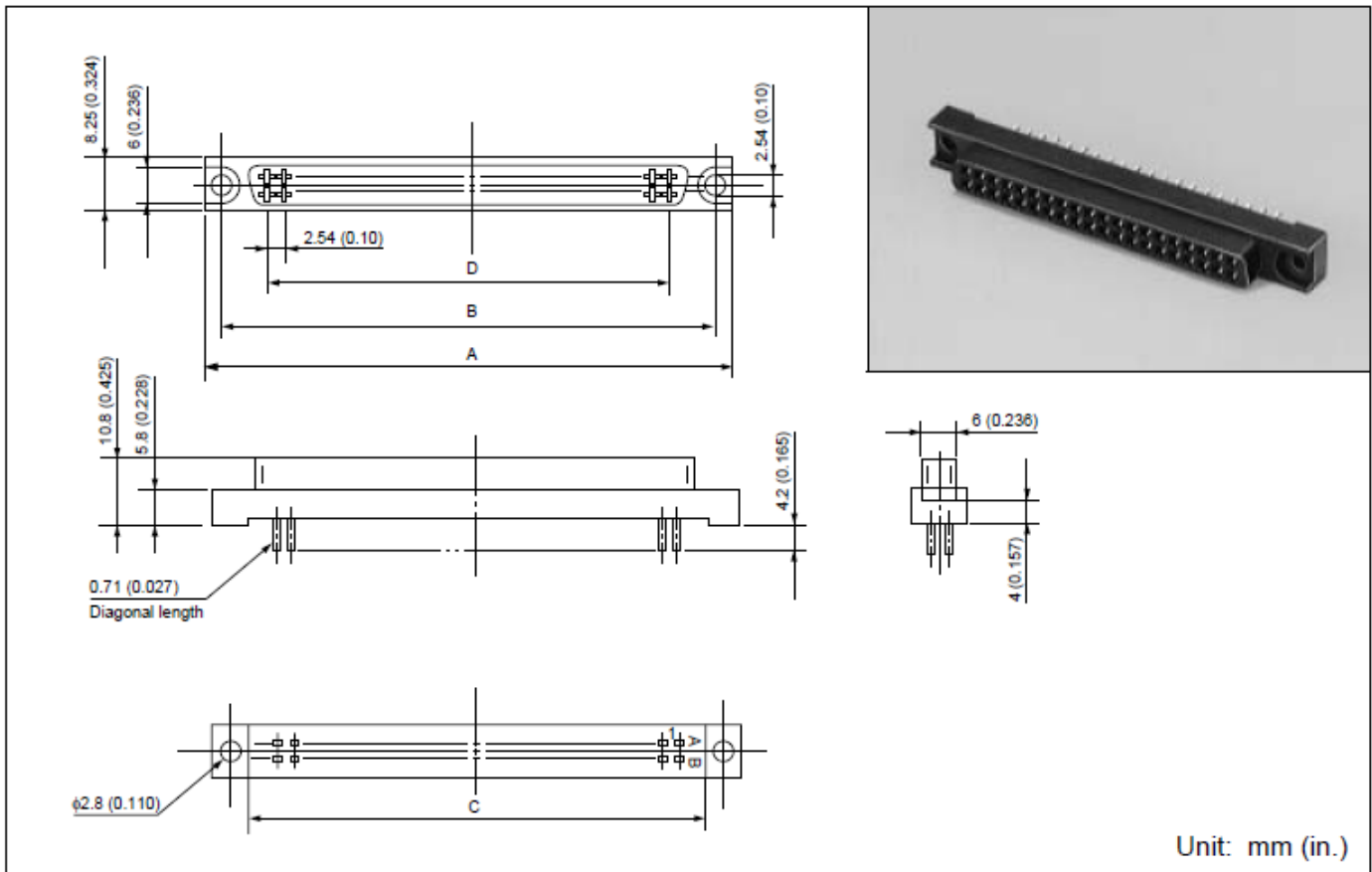
■ BOARD MOUNTING HOLE LAYOUT



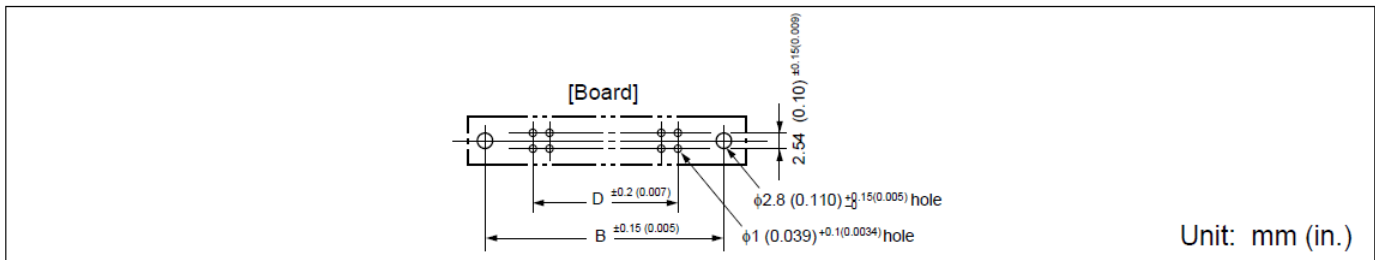
No. of contacts	Part number	Dimensions : mm(in.)			
		A	B	C	D
8	N364P008AU	28.84(1.135)	23.34(0.918)	17.84(0.702)	7.62(0.3)
16	N364P016AU	39.00(1.535)	33.50(1.318)	28.00(1.102)	17.78(0.7)
24	N364P024AU	49.16(1.935)	43.66(1.718)	38.16(1.502)	27.94(1.1)
32	N364P032AU	59.32(2.335)	53.82(2.118)	48.32(1.902)	38.10(1.5)
40	N364P040AU	69.48(2.735)	63.98(2.518)	58.48(2.302)	48.26(1.9)
48	N364P048AU	79.64(3.135)	74.14(2.918)	68.64(2.702)	58.42(2.3)
56	N364P056AU	89.80(3.535)	84.30(3.318)	78.80(3.102)	68.58(2.7)
64	N364P064AU	99.96(3.935)	94.46(3.718)	88.96(3.402)	78.74(3.1)

Straight type (RECEPACLE)

■ DIMENSIONS



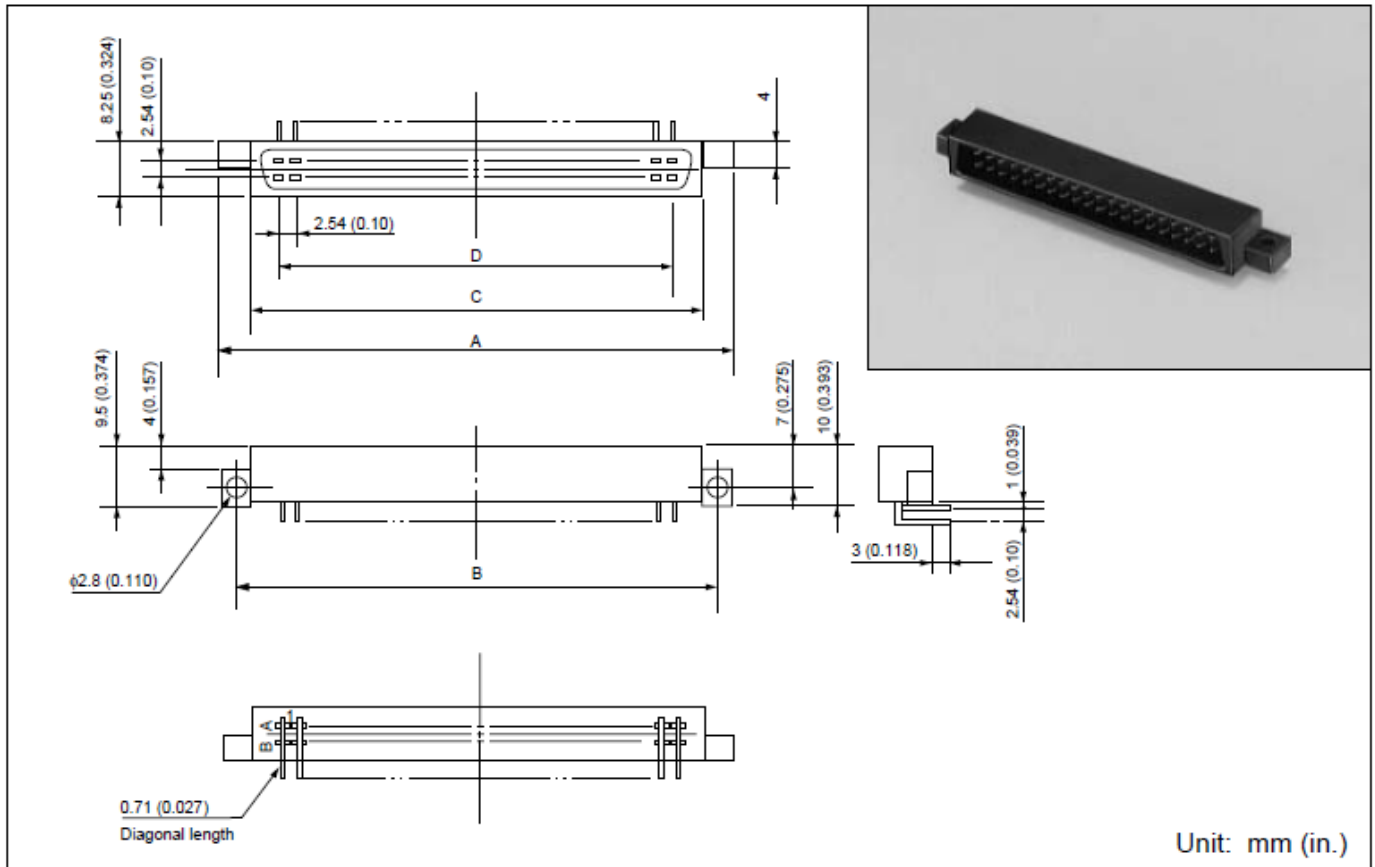
■ BOARD MOUNTING HOLE LAYOUT



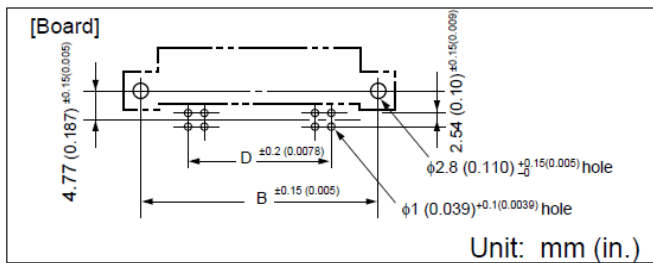
No. of contacts	Part number	Dimensions : mm(in.)			
		A	B	C	D
8	N364J008AU	28.84(1.135)	23.34(0.918)	17.84(0.702)	7.62(0.3)
16	N364J016AU	39.00(1.535)	33.50(1.318)	28.00(1.102)	17.78(0.7)
24	N364J024AU	49.16(1.935)	43.66(1.718)	38.16(1.502)	27.94(1.1)
32	N364J032AU	59.32(2.335)	53.82(2.118)	48.32(1.902)	38.10(1.5)
40	N364J040AU	69.48(2.735)	63.98(2.518)	58.48(2.302)	48.26(1.9)
48	N364J048AU	79.64(3.135)	74.14(2.918)	68.64(2.702)	58.42(2.3)
56	N364J056AU	89.80(3.535)	84.30(3.318)	78.80(3.102)	68.58(2.7)
64	N364J064AU	99.96(3.935)	94.46(3.718)	88.96(3.402)	78.74(3.1)

Right angle type (PLUG)

■ DIMENSIONS

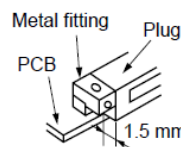


■ MOUNTING HOLE LAYOUT



■ NOTE

- Note on mounting a right-angle plug on a board

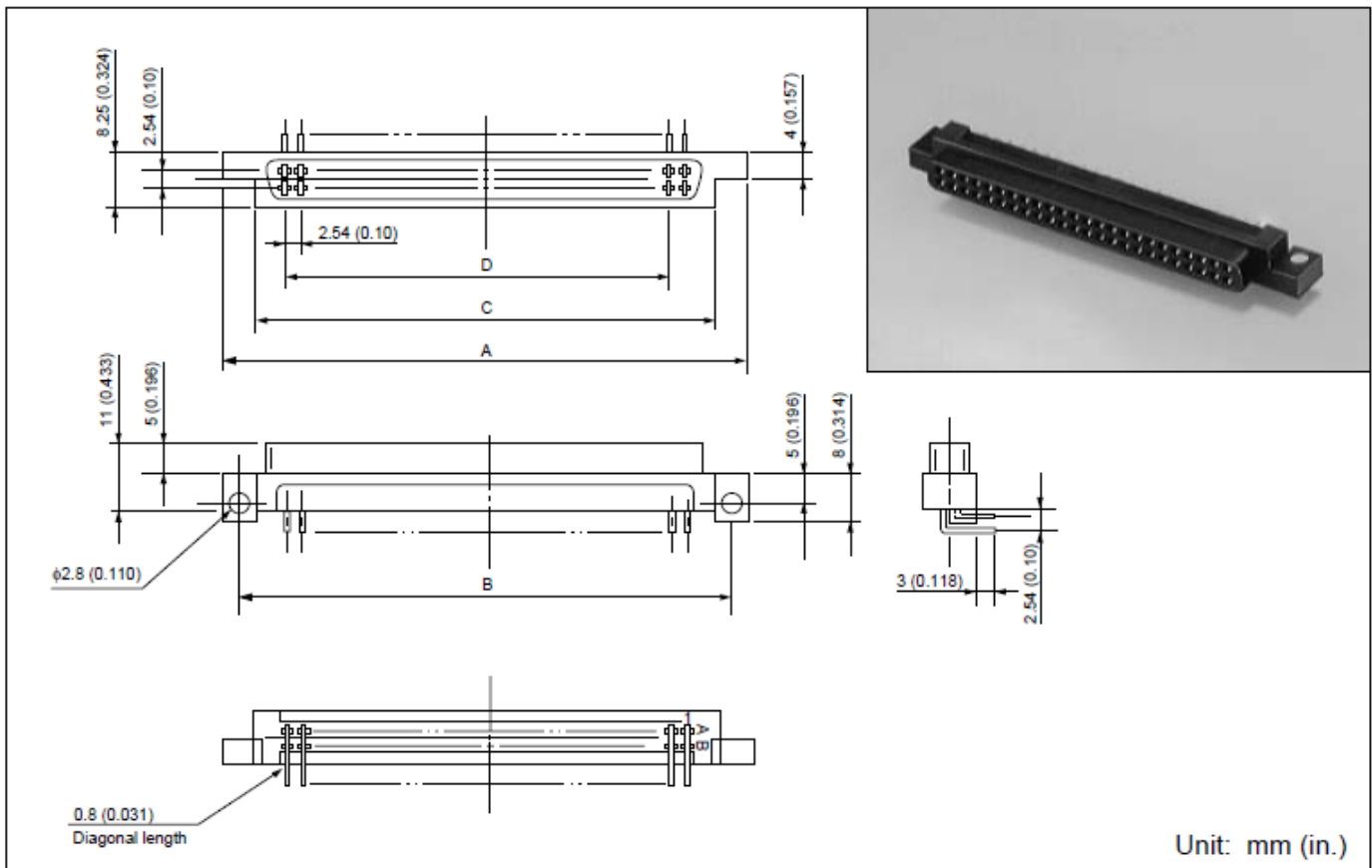


Mount the connector so that it projects from the board by at least 1.5 mm (0.059 in.).

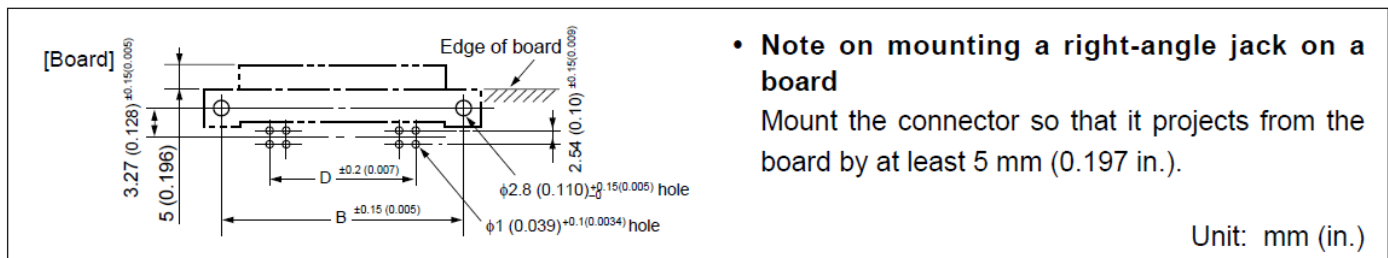
No. of contacts	Part number	Dimensions : mm(in.)			
		A	B	C	D
8	N365P008AU	28.84(1.135)	23.34(0.918)	17.84(0.702)	7.62(0.3)
16	N365P016AU	39.00(1.535)	33.50(1.318)	28.00(1.102)	17.78(0.7)
24	N365P024AU	49.16(1.935)	43.66(1.718)	38.16(1.502)	27.94(1.1)
32	N365P032AU	59.32(2.335)	53.82(2.118)	48.32(1.902)	38.10(1.5)
40	N365P040AU	69.48(2.735)	63.98(2.518)	58.48(2.302)	48.26(1.9)
48	N365P048AU	79.64(3.135)	74.14(2.918)	68.64(2.702)	58.42(2.3)
56	N365P056AU	89.80(3.535)	84.30(3.318)	78.80(3.102)	68.58(2.7)
64	N365P064AU	99.96(3.935)	94.46(3.718)	88.96(3.402)	78.74(3.1)

Right angle type (RECEPTACLE)

■ DIMENSIONS



■ MOUNTING HOLE LAYOUT



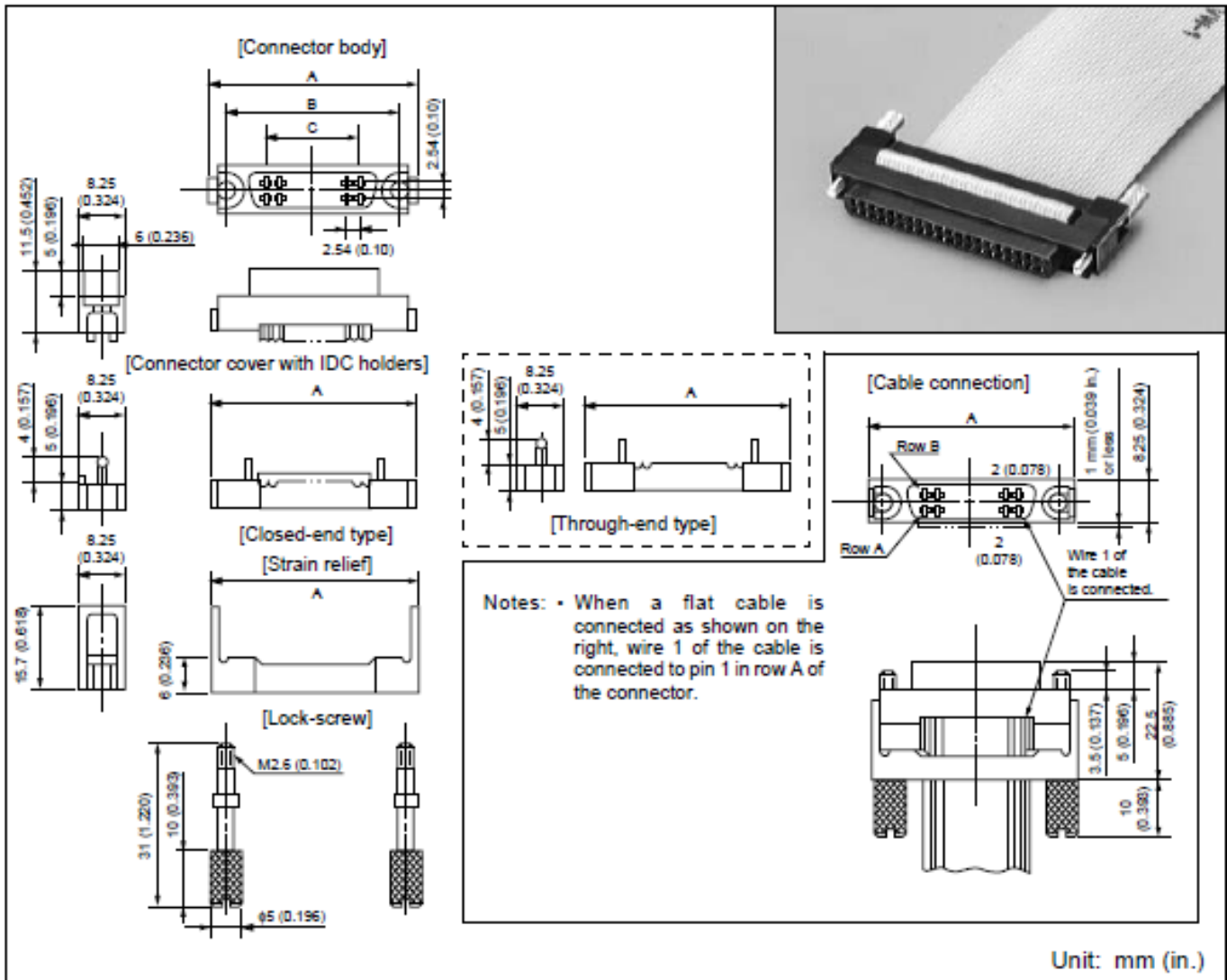
• Note on mounting a right-angle jack on a board

Mount the connector so that it projects from the board by at least 5 mm (0.197 in.).

No. of contacts	Part number	Dimensions : mm(in.)			
		A	B	C	D
8	N365J008AU	28.84(1.135)	23.34(0.918)	17.84(0.702)	7.62(0.3)
16	N365J016AU	39.00(1.535)	33.50(1.318)	28.00(1.102)	17.78(0.7)
24	N365J024AU	49.16(1.935)	43.66(1.718)	38.16(1.502)	27.94(1.1)
32	N365J032AU	59.32(2.335)	53.82(2.118)	48.32(1.902)	38.10(1.5)
40	N365J040AU	69.48(2.735)	63.98(2.518)	58.48(2.302)	48.26(1.9)
48	N365J048AU	79.64(3.135)	74.14(2.918)	68.64(2.702)	58.42(2.3)
56	N365J056AU	89.80(3.535)	84.30(3.318)	78.80(3.102)	68.58(2.7)
64	N365J064AU	99.96(3.935)	94.46(3.718)	88.96(3.402)	78.74(3.1)

IDC type (RECEPTACLE)

■ DIMENSIONS



No. of contacts	Part number		Dimensions : mm(in.)		
	Through-end cover	Closed-end cover	A	B	C
8	N367J008AUH	N367J008AUF	28.84(1.135)	23.34(0.918)	7.62(0.3)
16	N367J016AUH	N367J016AUF	39.00(1.535)	33.50(1.318)	17.78(0.7)
24	N367J024AUH	N367J024AUF	49.16(1.935)	43.66(1.718)	27.94(1.1)
32	N367J032AUH	N367J032AUF	59.32(2.335)	53.82(2.118)	38.10(1.5)
40	N367J040AUH	N367J040AUFW	69.48(2.735)	63.98(2.518)	48.26(1.9)
		N367J040AUMW *			
48	N367J048AUH	N367J048AUF	79.64(3.135)	74.14(2.918)	58.42(2.3)
56	N367J056AUH	N367J056AUF	89.8(3.535)	84.30(3.318)	68.58(2.7)
64	N367J064AUH	N367J064AUF	99.96(3.935)	94.46(3.718)	78.74(3.1)

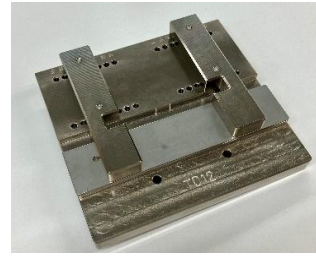
* N367J040AUMW is for Mitsubishi PLC(MELSEC-A/Q Series)

IDC Locator plate

■ FEATURES

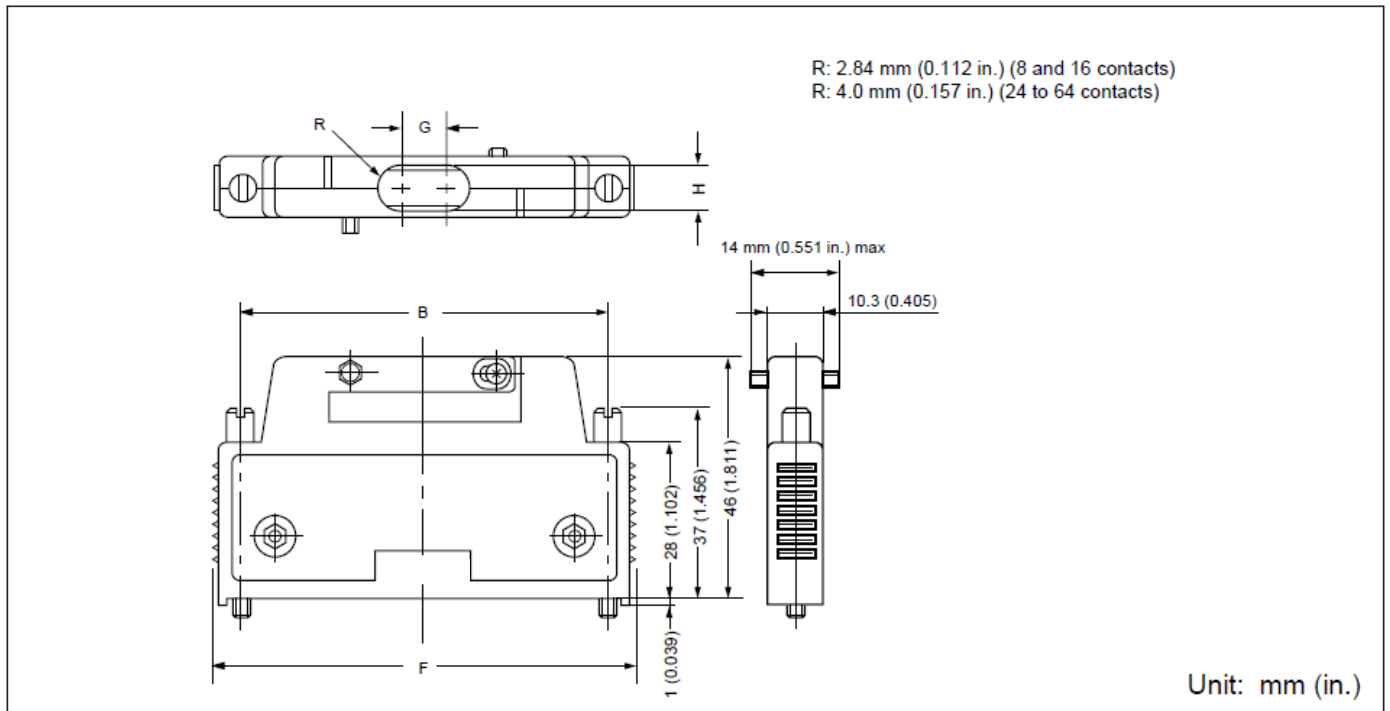
- Attach it to a hand press.
- The assembly of cables and connectors with various numbers of contacts can be done by selective serring

Tool	Part number
Locator plate	N367TT012H

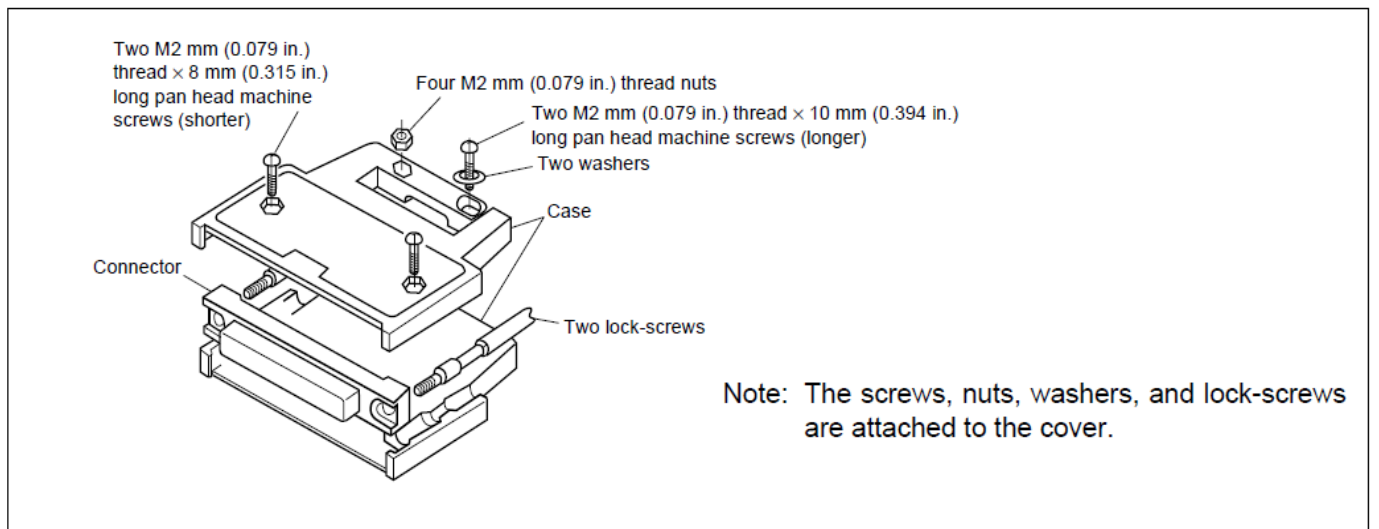


Cover TYPE B : Standard

■ DIMENSIONS



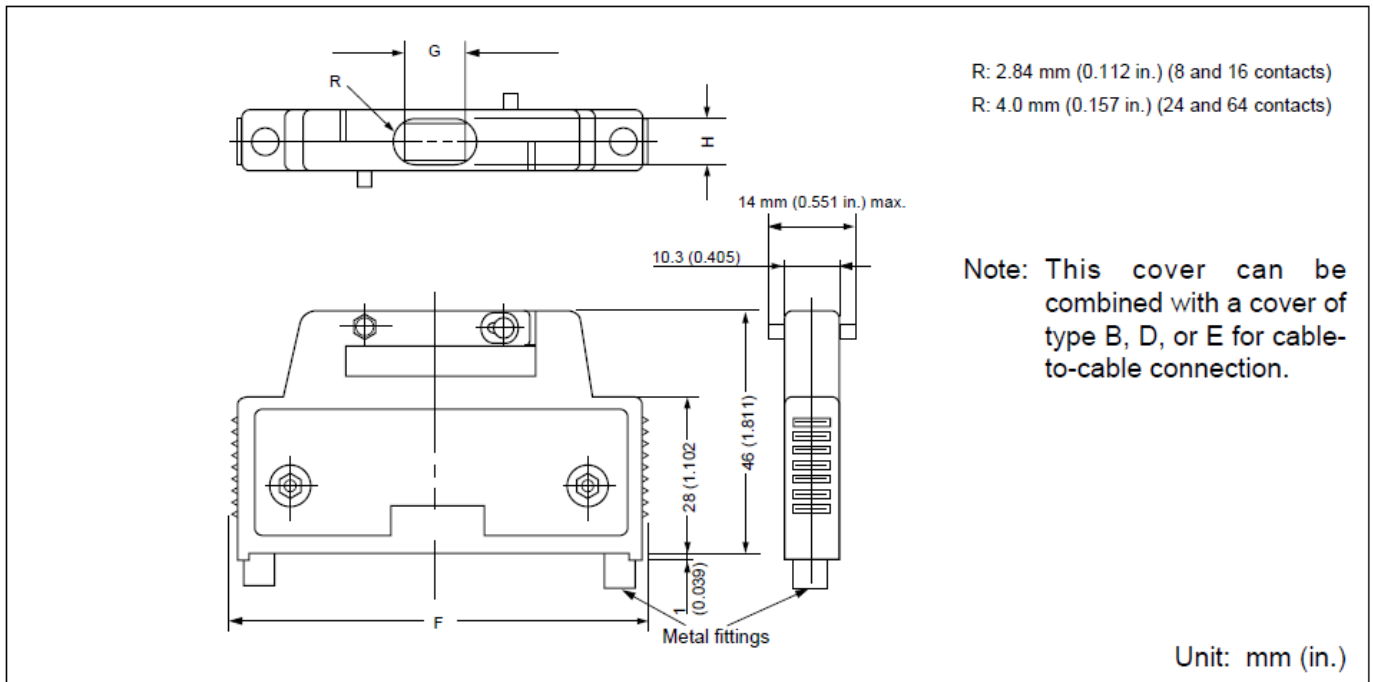
■ EXPLODED VIEW



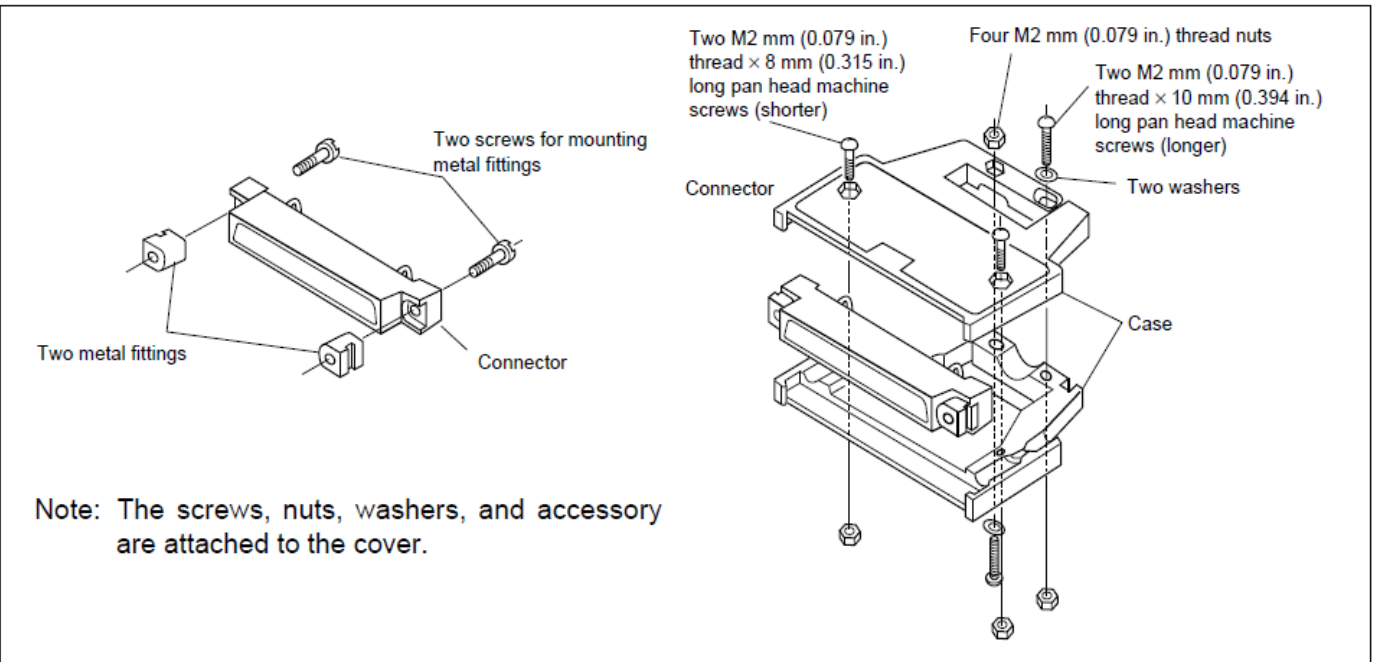
No. of contacts	Part number	Dimensions : mm(in.)			
		B	F	G	H
8	N360C008B	23.34(0.918)	32.08(1.262)	-	ϕ 5.7(0.224)
16	N360C016B	33.50(1.318)	42.24(1.662)	-	ϕ 5.7(0.224)
24	N360C024B	43.66(1.718)	52.40(2.062)	-	ϕ 8.0(0.314)
32	N360C032B	53.82(2.118)	62.56(2.462)	2.0(0.078)	8.0(0.314)
40	N360C040B	63.98(2.518)	72.72(2.862)	6.0(0.236)	8.0(0.314)
48	N360C048B	74.14(2.918)	82.88(3.262)	10.0(0.393)	8.0(0.314)
56	N360C056B	84.30(3.318)	93.04(3.662)	14.0(0.551)	8.0(0.314)
64	N360C064B	94.46(3.718)	103.20(4.062)	18.0(0.708)	8.0(0.314)

Cover TYPE C : Cable to cable connection

■ DIMENSIONS



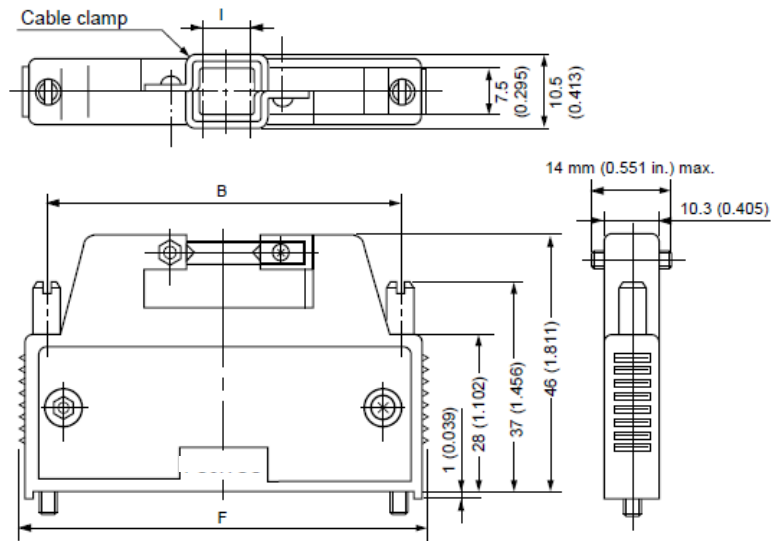
■ EXPLODED VIEW



No. of contacts	Part number	Dimensions : mm(in.)		
		F	G	H
8	N360C008C	32.08(1.262)	-	φ 5.7(0.224)
16	N360C016C	42.24(1.662)	-	φ 5.7(0.224)
24	N360C024C	52.40(2.062)	-	φ 8.0(0.314)
32	N360C032C	62.56(2.462)	2.0(0.078)	8.0(0.314)
40	N360C040C	72.72(2.862)	6.0(0.236)	8.0(0.314)
48	N360C048C	82.88(3.262)	10.0(0.393)	8.0(0.314)
56	N360C056C	93.04(3.662)	14.0(0.551)	8.0(0.314)
64	N360C064C	103.20(4.062)	18.0(0.708)	8.0(0.314)

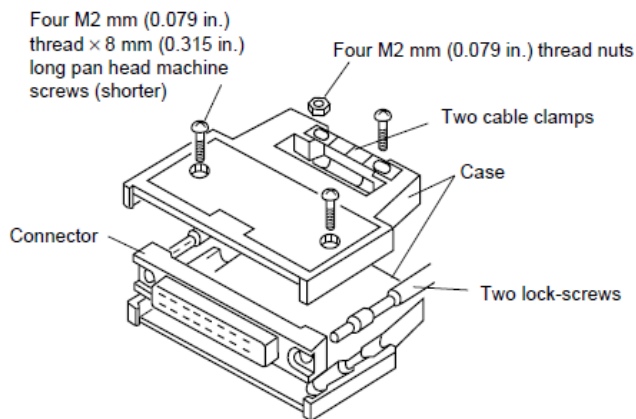
Cover TYPE D : Wide open type

■ DIMENSIONS



Unit: mm (in.)

■ EXPLODED VIEW

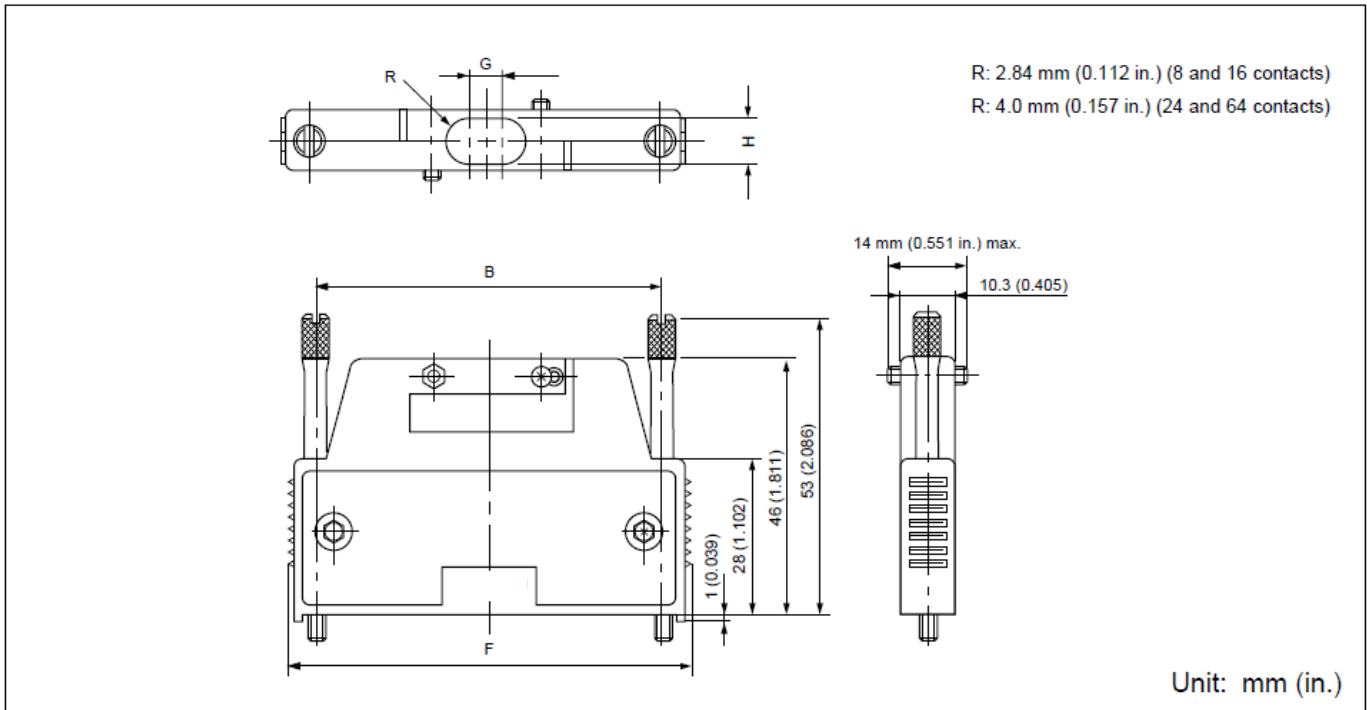


Note: The screws, nuts, cable clamp, and lock-screws are attached to the cover.

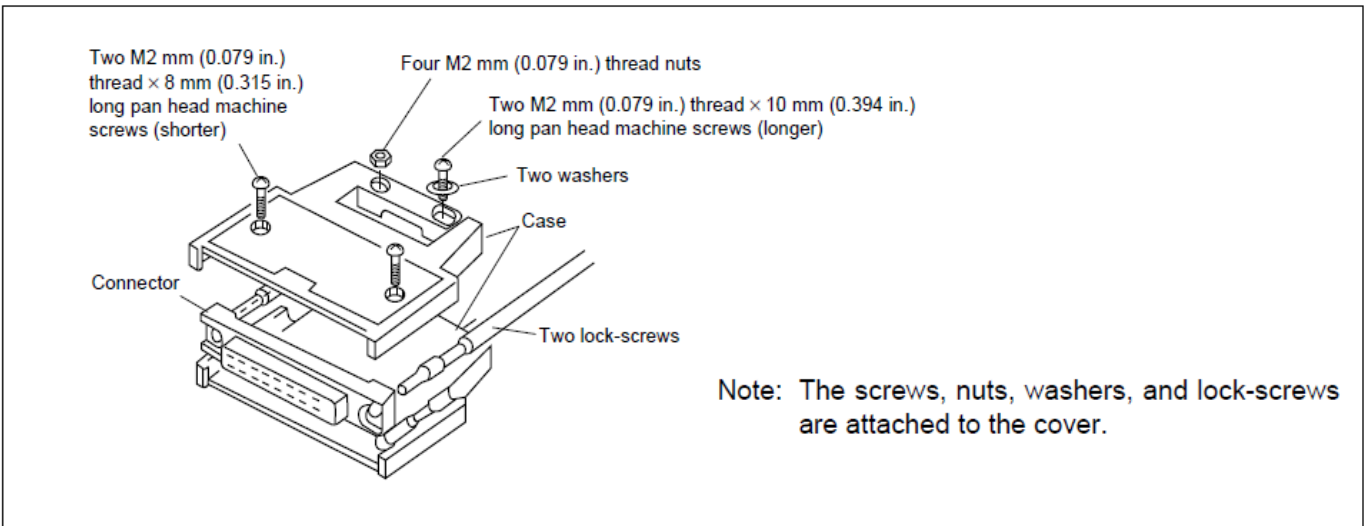
No. of contacts	Part number	Dimensions : mm(in.)		
		B	F	I
40	N360C040D	63.98(2.518)	72.72(2.862)	8.0(0.314)
48	N360C048D	74.14(2.918)	82.88(3.262)	12.0(0.472)
56	N360C056D	84.30(3.318)	93.04(3.662)	16.0(0.629)
64	N360C064D	94.46(3.718)	103.2(4.062)	20.0(0.789)

Cover TYPE E : Long-screw type

■ DIMENSIONS



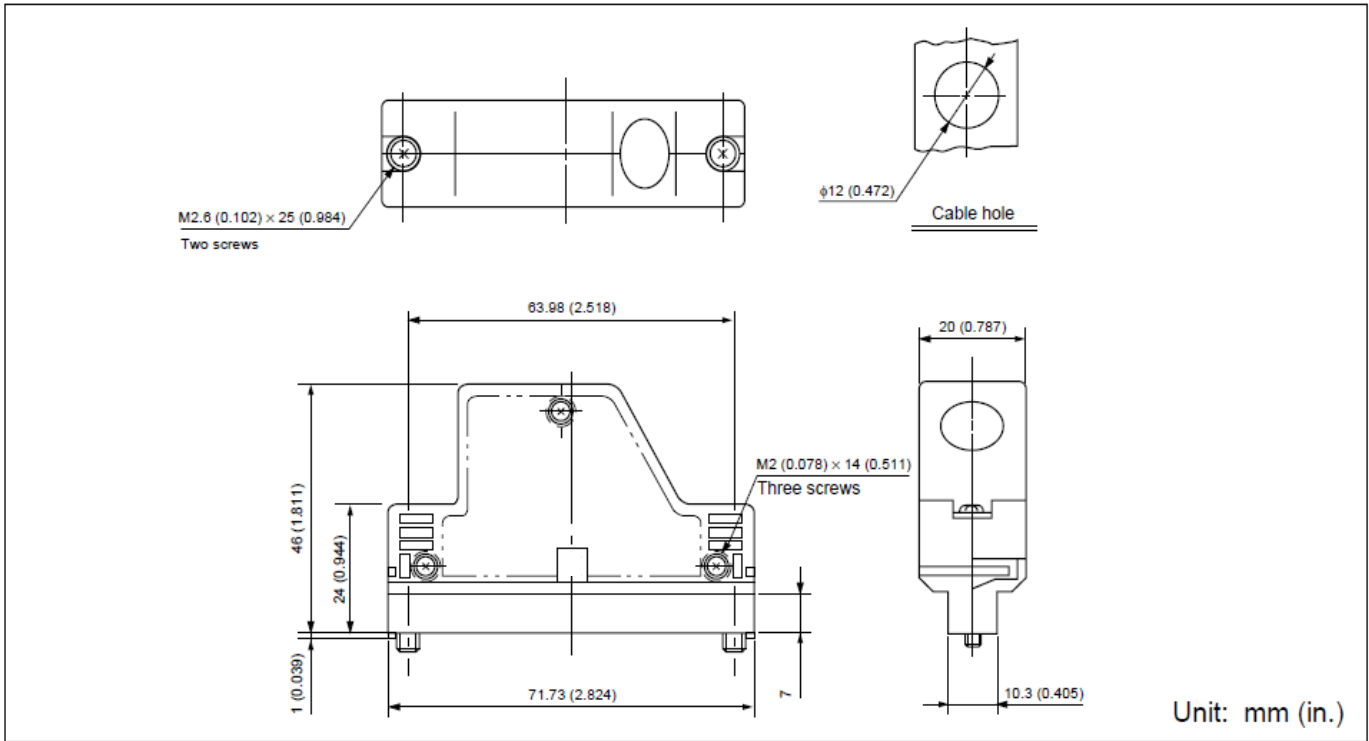
■ EXPLODED VIEW



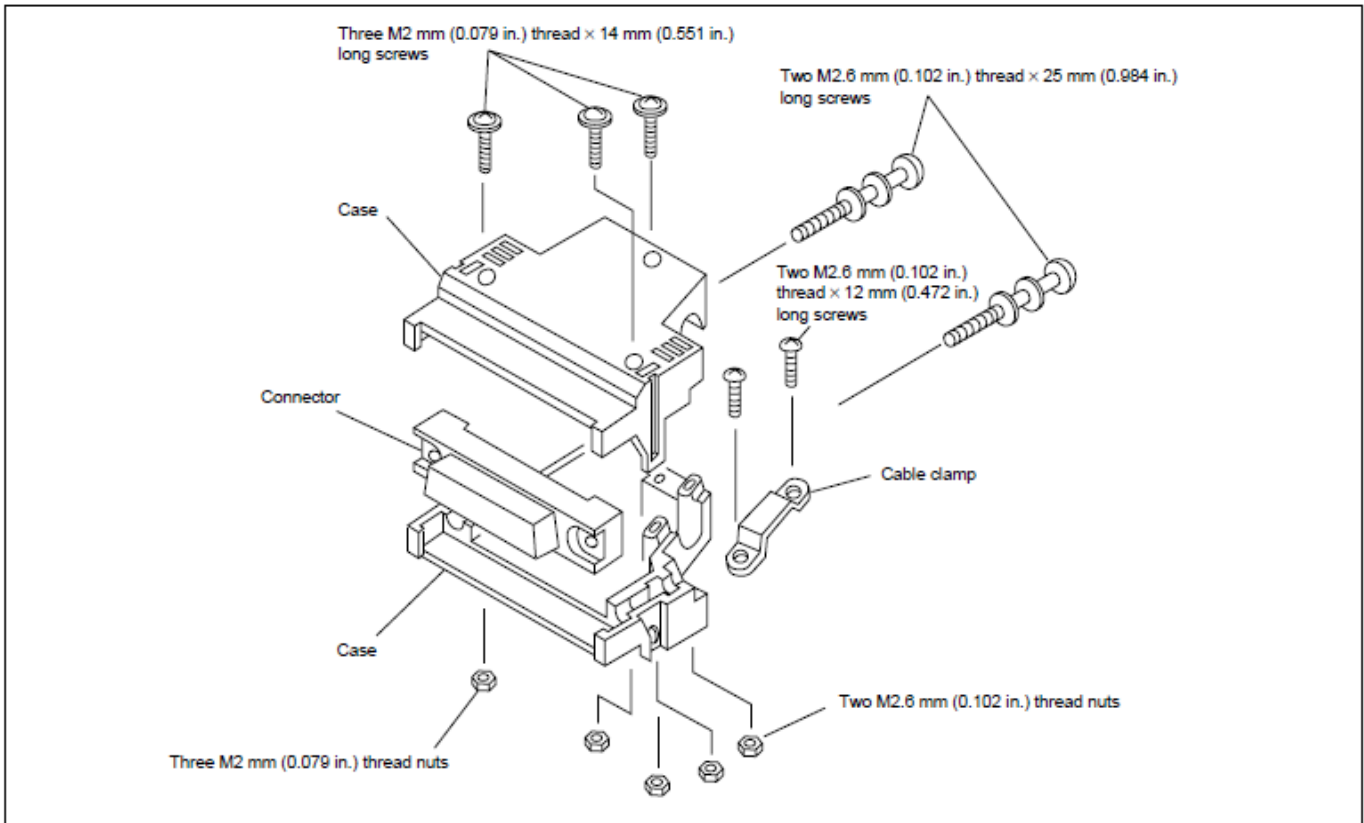
No. of contacts	Part number	Dimensions : mm(in.)			
		B	F	G	H
8	N360C008E	23.34(0.918)	32.08(1.262)	-	φ 5.7(0.224)
16	N360C016E	33.50(1.318)	42.24(1.662)	-	φ 5.7(0.224)
24	N360C024E	43.66(1.718)	52.40(2.062)	-	φ 8.0(0.314)
32	N360C032E	53.82(2.118)	62.56(2.462)	2.0(0.078)	8.0(0.314)
40	N360C040E	63.98(2.518)	72.72(2.862)	6.0(0.236)	8.0(0.314)
48	N360C048E	74.14(2.918)	82.88(3.262)	10.0(0.393)	8.0(0.314)
56	N360C056E	84.30(3.318)	93.04(3.662)	14.0(0.551)	8.0(0.314)
64	N360C064E	94.46(3.718)	103.20(4.062)	18.0(0.708)	8.0(0.314)

Cover TYPE J1 : Obtuse angle cable-out

■ DIMENSIONS



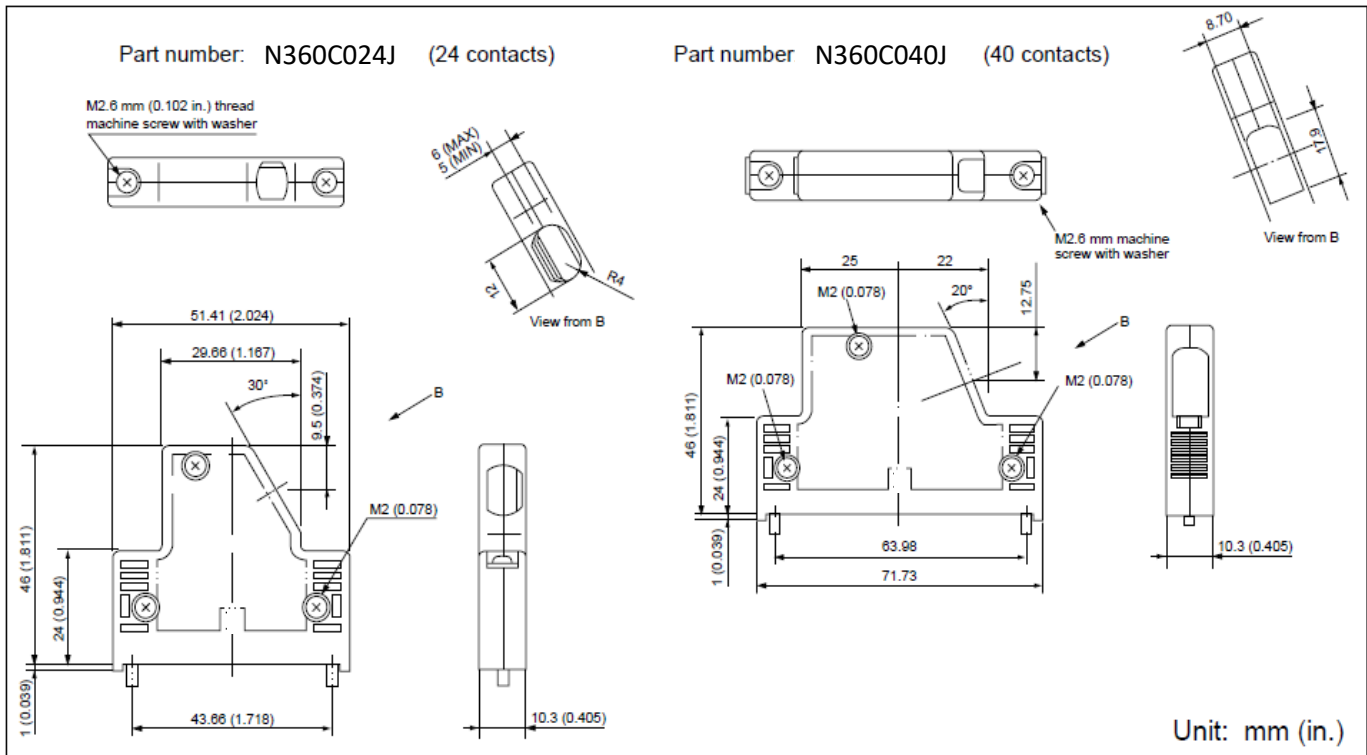
■ EXPLODED VIEW



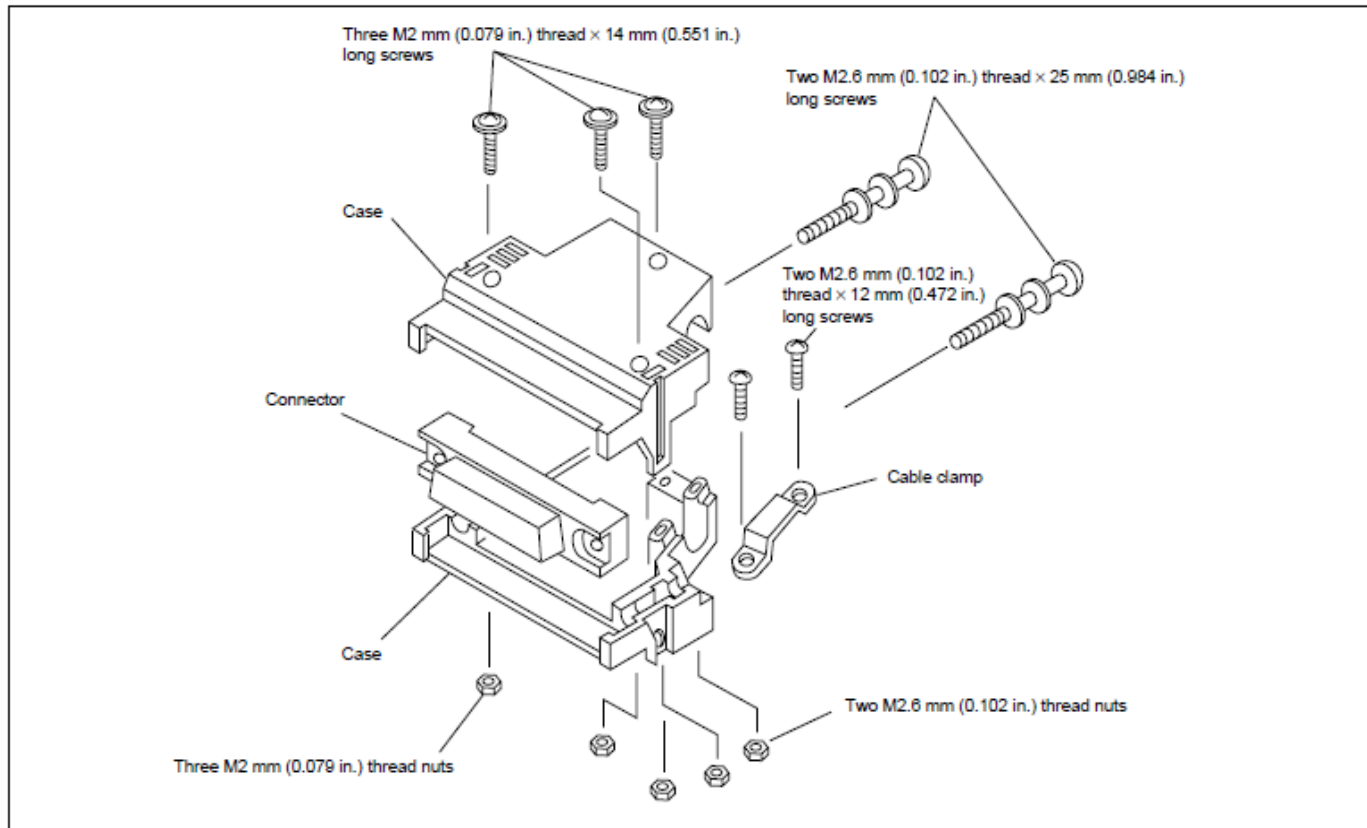
No. of contacts	Part number
40	N360C040J1

Cover TYPE J2 : Low profile obsute angle cable-out

■ DIMENSION



■ EXPLODED VIEW



No. of contacts	Part number
24	N360C024J2
40	N360C040J2

Metal fittings

■ SHAPES AND DIMENSIONS OF METAL FITTINGS

1. Straight Mounting Metal Fittings

Shape	Symbol / Part number	N360A01A	N360A06A
<p>Unit: mm (in.)</p>	A	5.3 (0.208)	6.3 (0.248)

2. Right-angle Mounting Metal Fittings

Shape	Symbol / Part number	N360A02A	N360A03A
<p>Unit: mm (in.)</p>	B	3 (0.118)	4 (0.157)
	C	9 (0.354)	10 (0.393)

Shape	Symbol / Part number	N360A08A	N360A09A
<p>Unit: mm (in.)</p>	B	5.3 (0.208)	6.3 (0.248)
	C	13.3 (0.523)	14.3 (0.526)

Symbol / Part number	N360A10A
<p>Unit: mm (in.)</p>	

3. Straight Mounting Round Metal Fittings

Shape	Symbol / Part number	N360A04A	N360A05A	N360A07A
<p>Unit: mm (in.)</p>	D	7.1 (0.279)	9.9 (0.389)	8.1 (0.318)

■ MOUNTING SYLE

<p>[Straight mounting metal fitting]</p> <p>Note: The M2.6 mm (0.102 in.) thread × 8 mm (0.315 in.) long machine screw shall be separately prepared.</p>	<p>[Right-angle mounting metal fitting]</p> <p>Note: The M2.6 mm (0.102 in.) thread × 10 mm (0.394 in.) long machine screw shall be separately prepared.</p>	<p>[Straight mounting round metal fitting]</p> <p>Note: The M2.6 mm (0.102 in.) thread × 8 mm (0.315 in.) long machine screw shall be separately prepared.</p>
--	--	--

SELECTION OF METAL FITTINGS ACCORDING TO COMBINATION OF CONNECTORS AND

Receptacle / Plug		Cover mounting side				
		N361J		N363J		367J
		With cover	Without cover	With cover	Without cover	Without cover
Metal fittings mounting side	N361P	N360A04A	N360A05A	N360A04A	N360A05A	N360A05A
	N364P	N360A01A	N360A06A	N360A01A	N360A06A	N360A06A
	N365P	N360A02A	N360A03A	N360A02A	N360A03A	N360A03A

※The cover cannot be attached to IDC type(N367J).

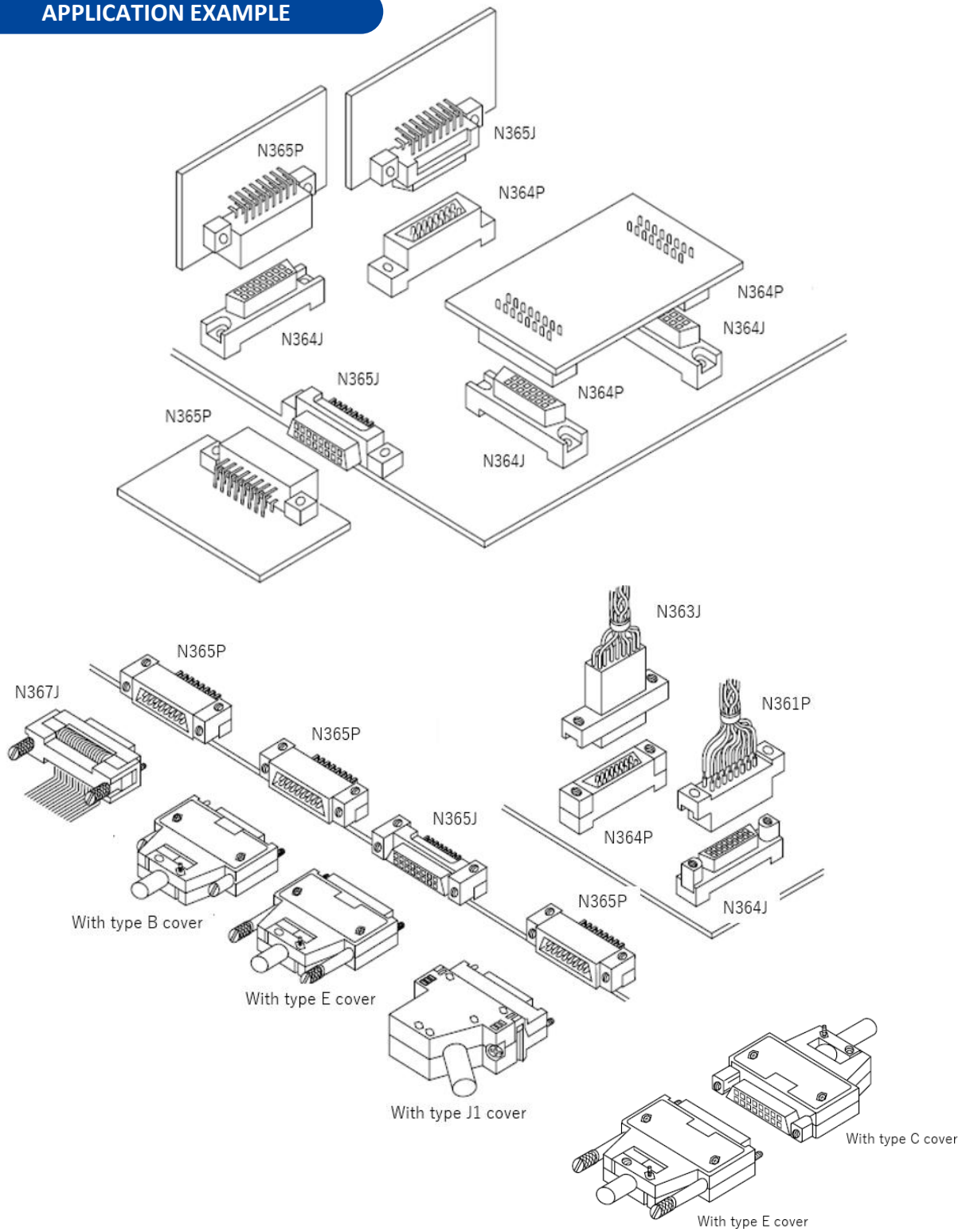
Receptacle / Plug		Cover mounting side	
		N361P	
		With cover	Without cover
Metal fittings mounting side	N361J	N360A04A	N360A05A
	N363J	N360A04A	N360A05A
	N364J	N360A04A	N360A05A
	N365J	N360A10A N360A08A	N360A09A
	N367J	N360A04A	N360A05A

* The cover cannot be attached to plugs other than soldering (N361P).

COMBINATIONS BETWEEN COVERS AND CONNECTORS

Cover	Connector		Receptacle				Number of contacts							
	Plug	Soldering	Soldering	Crimp	IDC	8	16	24	32	40	48	56	64	
														N361P
N360C□□□B	●	●	●	●	-	●	●	●	●	●	●	●	●	
N360C□□□C	●	●	●	●	-	●	●	●	●	●	●	●	●	
N360C□□□D	●	●	●	●	-					●	●	●	●	
N360C□□□E	●	●	●	●	-	●	●	●	●	●	●	●	●	
N360C040J1	●	●	-	-	-					●				
N360C□□□J2	●	●	-	-	-			●		●				

APPLICATION EXAMPLE



OTAX CO., LTD.

1215, NIPPA-CHO, KOHHOKU-KU,

YOKOHAMA, JAPAN, 223-8558

TELEPHONE: 81-45-543-5621

FAX : 81-45-542-3503

<http://www.otax.co.jp>

E-mail: sales@otax.co.jp